

Item No.	Type	Sub	Part No.	Description	Qty	Unit
001			273030-6	GRIP	1	PC.
002			922453-2	HEX.SOCKET HEAD BOLT M8X30	2	PC.
012			183V79-9	HANDLE SET	1	SET
		INC.	8012U4-2	XGT LOGO LABEL	1	PC.
013			911243-8	PAN HEAD SCREW M5X25	2	PC.
014			620A64-0	DIAL CURCUIT	1	PC.
015			231433-0	COMPRESSION SPRING 4	1	PC.
016			412551-5	LOCK OFF BUTTON	1	PC.
017			651486-7	SWITCH C3JW-4B-R	1	PC.
019			265995-6	TAPPING SCREW 4X18	4	PC.
020			8116W3-4	PB002G SERIAL NO. LABEL	1	PC.
021			632P49-4	TERMINAL UNIT	1	PC.
022			620J36-9	CONTROLLER	1	PC.
023			620549-0	LED CIRCUIT	1	PC.
024			183V14-7	MOTOR HOUSING SET	1	SET
		INC.	263005-3	RUBBER PIN 6	2	PC.
026			629B03-3	STATOR	1	PC.
027			210017-7	BALL BEARING 607DDW	1	PC.
028			519736-5	ROTOR ASS'Y	1	PC.
		INC.		Item No. 27,29		
029			210141-6	BALL BEARING 6000DDW	1	PC.
031			265995-6	TAPPING SCREW 4X18	4	PC.
032			8116V7-9	PB002G NAME PLATE	1	PC.
033			266056-5	TAPPING SCREW 5X45	4	PC.
034			141G83-4	REAR FRAME COMPLETE	1	PC.
		INC.	263005-3	RUBBER PIN 6	1	PC.
		INC.	424736-1	SPONGE	1	PC.
035			227930-2	SPIRAL BEVEL GEAR 11	1	PC.
036			211487-3	BALL BEARING 6202DDW	1	PC.
037			961055-9	RETAINING RING S-15	1	PC.
038			227934-4	HELICAL GEAR 61	1	PC.
039			210029-0	BALL BEARING 608ZZ	1	PC.
040			141H06-8	GEAR HOUSING COMPLETE	1	PC.
041			347940-4	STOPPER PLATE	1	PC.
042			922224-7	H.S.H.BOLT M5X16 WITH WG	2	PC.
043			210017-7	BALL BEARING 607DDW	1	PC.
044			227931-0	SPIRAL BEVEL GEAR 29	1	PC.
045			227932-8	SPUR GEAR 12	1	PC.
046			210017-7	BALL BEARING 607DDW	1	PC.
047			210029-0	BALL BEARING 608ZZ	1	PC.
048			961054-1	RETAINING RING S-14	1	PC.
049			227933-6	SPUR GEAR 39	1	PC.
050			327947-6	SPINDLE	1	PC.
051			211487-3	BALL BEARING 6202DDW	1	PC.
052			422845-0	GASKET	1	PC.
053			312C55-4	BEARING BOX	1	PC.
054			911243-8	PAN HEAD SCREW M5X25	5	PC.
055			256689-4	PIN 4	1	PC.
056	1		413D72-4	* REAR WHEEL COVER	1	PC.
	2		141N85-2	* REAR WHEEL COVER	1	PC.
057			961017-7	STOP RING E-3	1	PC.
058			312C53-8	LOWER HOLDER	1	PC.
059			911138-5	P.H.SCREW M4X20 WITH WR	1	PC.
060			162B33-6	HOOK	1	PC.
061			911138-5	P.H.SCREW M4X20 WITH WR	1	PC.
062			210187-2	BALL BEARING 696ZZ	1	PC.

Item No.	Type	Sub	Part No.	Description	Qty	Unit
063			256033-5	PIN 6	1	PC.
064			210187-2	BALL BEARING 696ZZ	4	PC.
065			251337-0	+ PAN HEAD SCREW M5	2	PC.
068			267164-5	FLAT WASHER 15	1	PC.
069			421333-4	RUBBER TIRE	2	PC.
070			413D66-9	WHEEL B	1	PC.
071			253852-0	FLAT WASHER 8	2	PC.
072			265C56-0	H.S. HEAD BOLT M8X25 LEFT	2	PC.
073			347942-0	SAW GUARD COVER	1	PC.
074			911128-8	P.H.SCREW M4X16 WITH WR	2	PC.
075			347941-2	SAW GUARD	1	PC.
076			911128-8	P.H.SCREW M4X16 WITH WR	2	PC.
077			327948-4	GUARD ROD 8	1	PC.
078			271470-2	LEVER 65	1	PC.
079			231955-0	RING SPRING 12	1	PC.
080			911138-5	P.H.SCREW M4X20 WITH WR	4	PC.
081			413D73-2	LEVER HOLDER	1	PC.
082			214408-4	PLANE BEARING 30	1	PC.
083			326351-6	LEVER SHAFT	1	PC.
084			234313-9	COMPRESSION SPRING 9	1	PC.
085			262130-7	URETHANE RING 4	1	PC.
086			265382-9	HEX. SOCKET HEAD BOLT M5X20	1	PC.
087			262130-7	URETHANE RING 4	1	PC.
088			266056-5	TAPPING SCREW 5X45	4	PC.
089			961017-7	STOP RING E-3	1	PC.
090			141G86-8	FRONT FRAME COMPLETE	1	PC.
		INC.	263002-9	RUBBER PIN 4	1	PC.
		INC.	263005-3	RUBBER PIN 6	1	PC.
091			162B48-3	SLIDE PLATE	1	PC.
092			268241-6	PIN 6	1	PC.
093			911138-5	P.H.SCREW M4X20 WITH WR	2	PC.
095			212199-1	NEEDLE BEARING 510	1	PC.
096			267010-2	FLAT WASHER 5	2	PC.
097			256155-1	PIN 5	1	PC.
098			911138-5	P.H.SCREW M4X20 WITH WR	1	PC.
099			312C54-6	UPPER HOLDER	1	PC.
100			911138-5	P.H.SCREW M4X20 WITH WR	1	PC.
101			256033-5	PIN 6	1	PC.
102			210187-2	BALL BEARING 696ZZ	1	PC.
103			210187-2	BALL BEARING 696ZZ	4	PC.
104			251337-0	+ PAN HEAD SCREW M5	2	PC.
107			162B33-6	HOOK	1	PC.
108			911138-5	P.H.SCREW M4X20 WITH WR	1	PC.
109			267164-5	FLAT WASHER 15	1	PC.
111			141G78-7	WHEEL COMPLETE A	1	PC.
114			256689-4	PIN 4	1	PC.
115	1		413D71-6	* FRONT WHEEL COVER	1	PC.
	2		141N84-4	* FRONT WHEEL COVER	1	PC.
116			911223-4	PAN HEAD SCREW M5X16	2	PC.
117			122B60-5	HOOK ASSEMBLY	1	PC.
118			263027-3	* RUBBER PIN 4	1	PC.

Item No.	Type	Sub	Part No.	Description	Qty	Unit
<u>ACCESSORIES</u> - Visit www.makita.ca for more accessories information -						
A02			783202-0	HEX. WRENCH 4	1	PC.
A03			DC40RA	DC40RA FAST CHARGER	1	PC.
A04			-----	40V MAX LI-ION BATTERY	1	PC.
A04			BL4040	BATTERY BL4040 SET	1	PC.
A06			----	PLASTIC CARRYING CASE (N/A for repairs)	1	PC.
A08			E-13225	BAND SAW BLADE 10TPI BIM	1	PC.
F01			191897-9	CUTTING WAX	1	PC.

SERVICE CHANGES

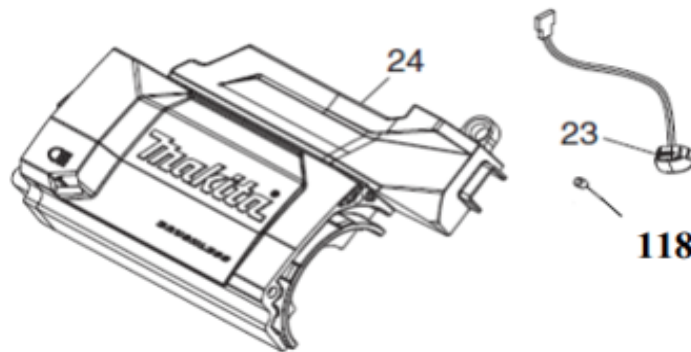
1. Addition of RUBBER PIN 4

(T/I#Y08913)

Item No.	Description	Type 1	Type 2
118	RUBBER PIN 4	-----	263027-3

Rubber pin 4 has been added in parts list to correct omission

Rubber pin 4 is used for fixing LED circuit firmly.



2. Changes on Front wheel cover and Rear wheel cover (T/I#DK305)

Item No.	Description	Type 1	Type 2
115	FRONT WHEEL COVER	413D71-6	141N84-4
56	REAR WHEEL COVER	413D72-4	141N85-2

Above parts are completely interchangeable as a set.